

LEGEND

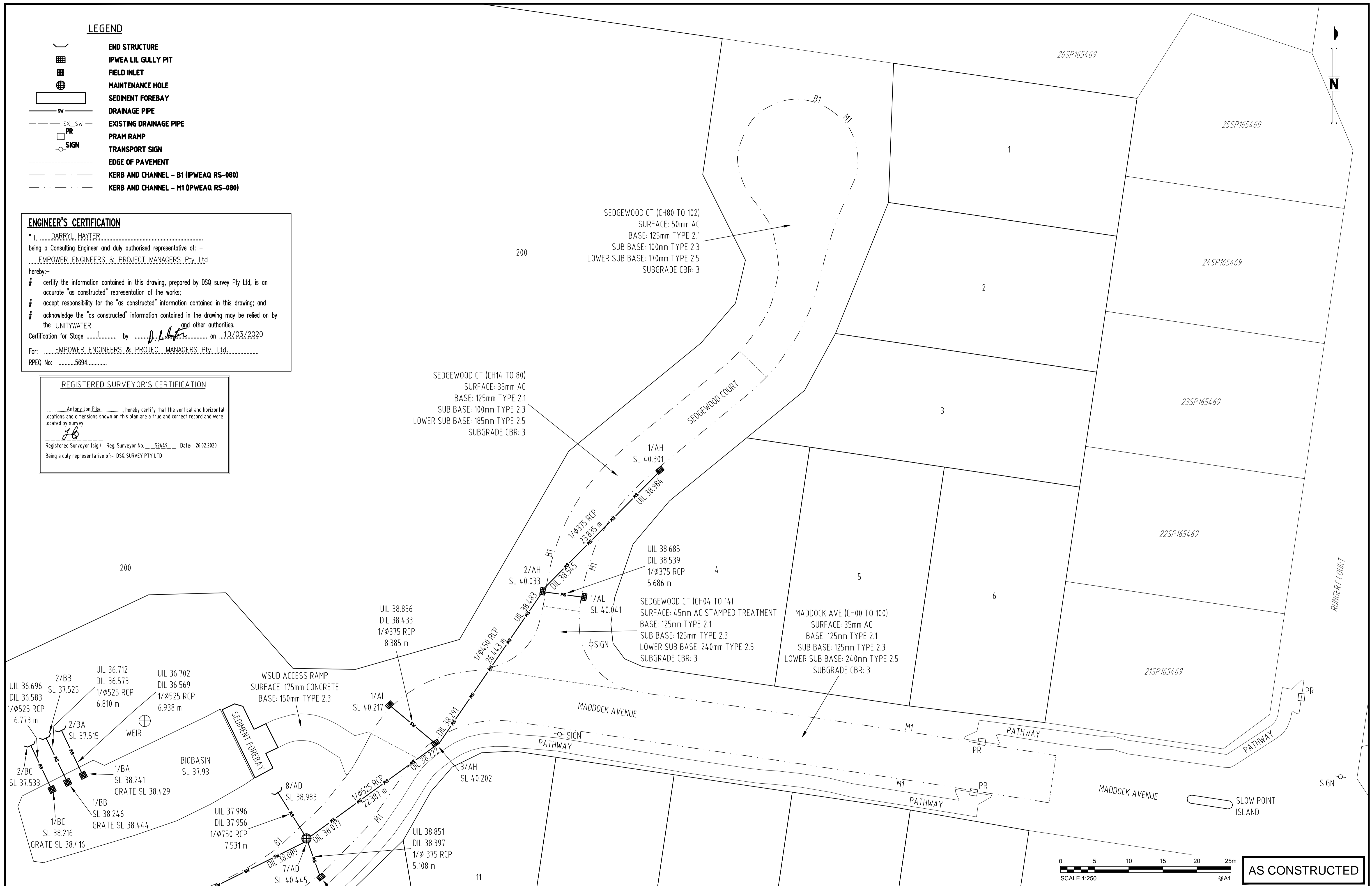
- END STRUCTURE
- IPWEA LIL GULLY PIT
- FIELD INLET
- MAINTENANCE HOLE
- SEDIMENT FOREBAY
- DRAINAGE PIPE
- EXISTING DRAINAGE PIPE
- PRAM RAMP
- TRANSPORT SIGN
- EDGE OF PAVEMENT
- KERB AND CHANNEL - B1 (IPWEAQ RS-080)
- KERB AND CHANNEL - M1 (IPWEAQ RS-080)

ENGINEER'S CERTIFICATION

I, DARRYL HAYTER,
 being a Consulting Engineer and duly authorised representative of: -
EMPOWER ENGINEERS & PROJECT MANAGERS Pty Ltd
 hereby:-
 # certify the information contained in this drawing, prepared by DSQ survey Pty Ltd, is an accurate "as constructed" representation of the works;
 # accept responsibility for the "as constructed" information contained in this drawing; and
 # acknowledge the "as constructed" information contained in the drawing may be relied on by the UNITYWATER and other authorities.
 Certification for Stage 1 by [Signature] on 10/03/2020
 For: EMPOWER ENGINEERS & PROJECT MANAGERS Pty Ltd
 RPEQ No: 5694

REGISTERED SURVEYOR'S CERTIFICATION

I, Antony Jon Pike, hereby certify that the vertical and horizontal locations and dimensions shown on this plan are a true and correct record and were located by survey.
[Signature]
 Registered Surveyor (sig) Reg. Surveyor No. 52449 Date: 26.02.2020
 Being a duly representative of:- DSQ SURVEY PTY LTD



0 5 10 15 20 25m
 SCALE 1:250 @A1

AS CONSTRUCTED

A1	A	18/12/2019	AS-CONSTRUCTED	BAS	IS				
	INDEX	DATE	REVISIONS	DRAWN	CHECKED	PASSED			

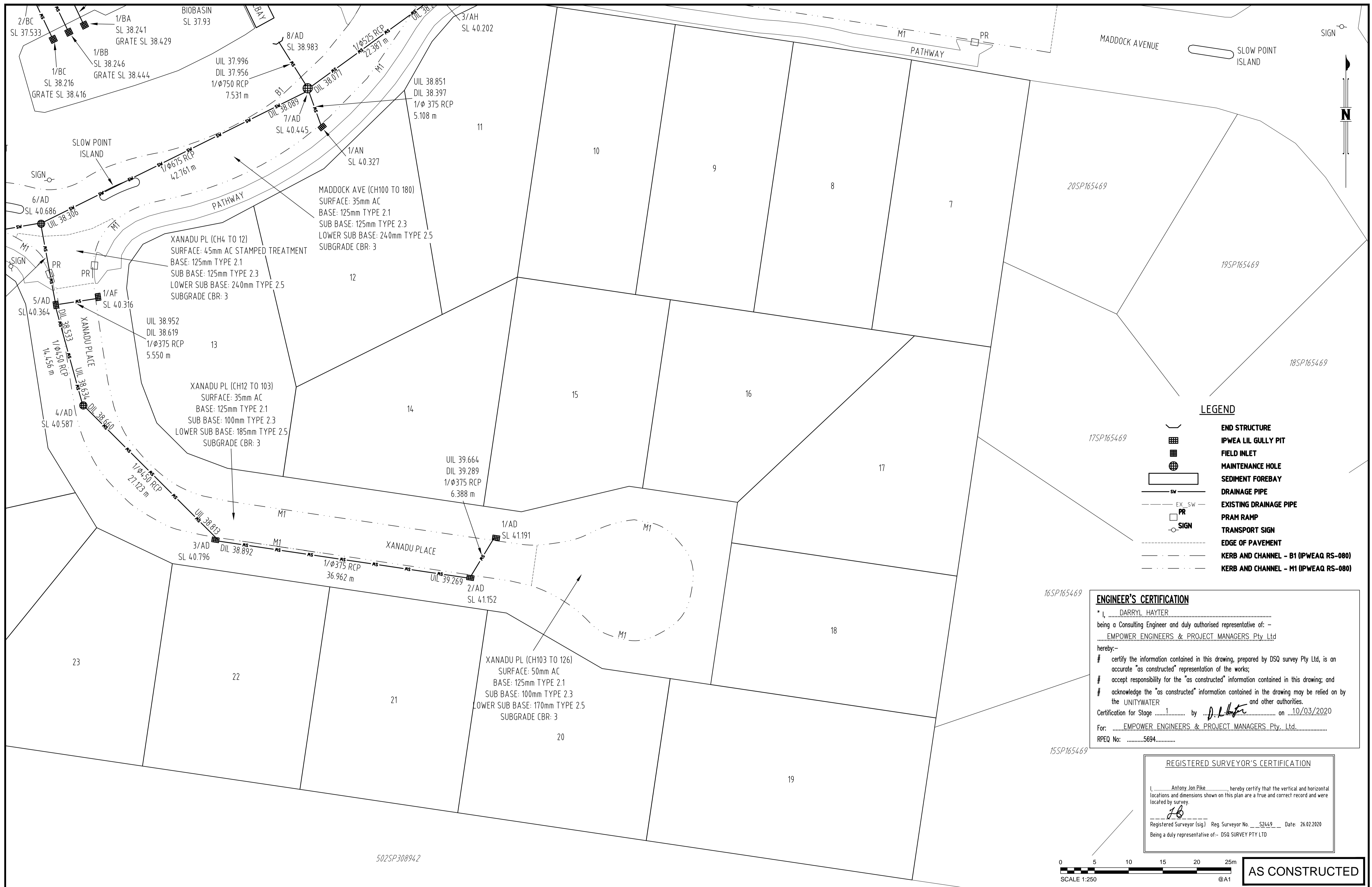
DRAWN: BAS 18/12/2019
 CHECKED: IS 18/12/2019
 PASSED:

PREPARED ON BEHALF OF:

SUNSHINE COAST COUNCIL

ROADS AND DRAINAGE
 HILLSIDE MOOLOOLAH VALLEY STAGE 1
 COUNCIL REFERENCE: OPW18/0749.01

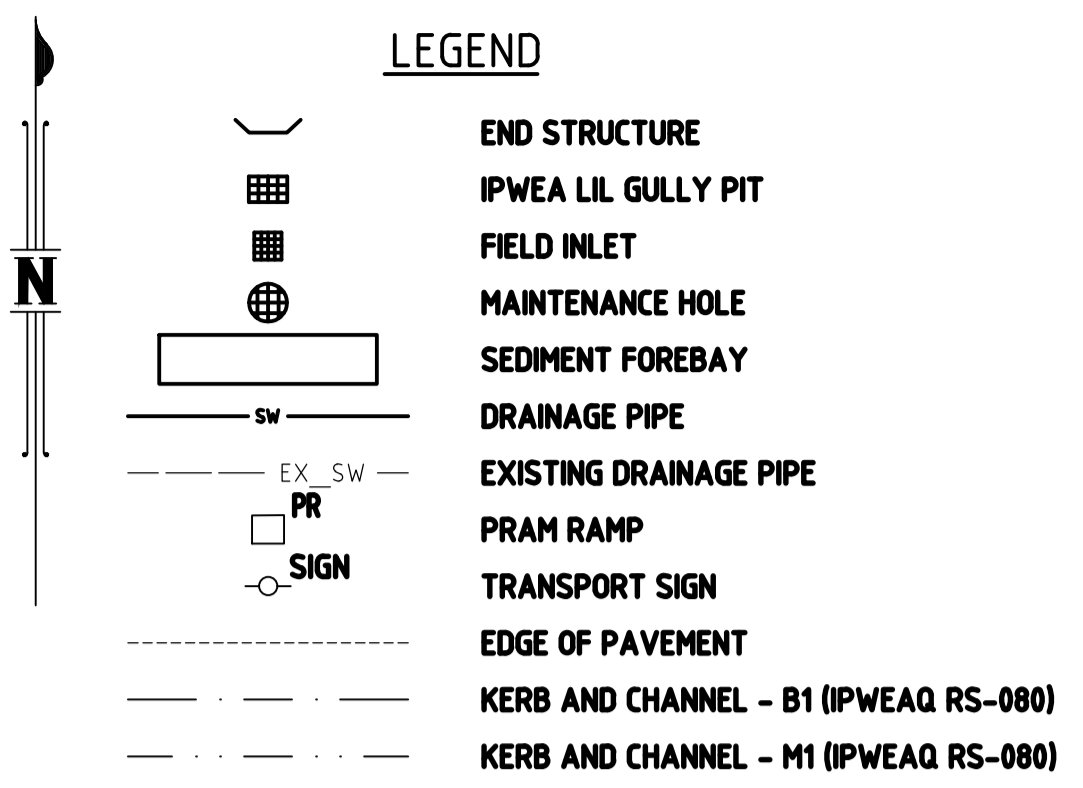
SCALE 1:250
 SHEET 1 OF 4 SHEETS
 DRAWING NO.



A1	A	18/12/2019	AS-CONSTRUCTED	BAS	IS				
	INDEX	DATE	REVISIONS	DRAWN	CHECKED	PASSED	INITIALS	DATE	

PREPARED ON BEHALF OF:

SUNSHINE COAST COUNCIL		SCALE 1:250
ROADS AND DRAINAGE HILLSIDE MOOLOOLAH VALLEY STAGE 1 COUNCIL REFERENCE: OPW18/0749.01		SHEET 2 OF 4 SHEETS
DRAWING NO.		

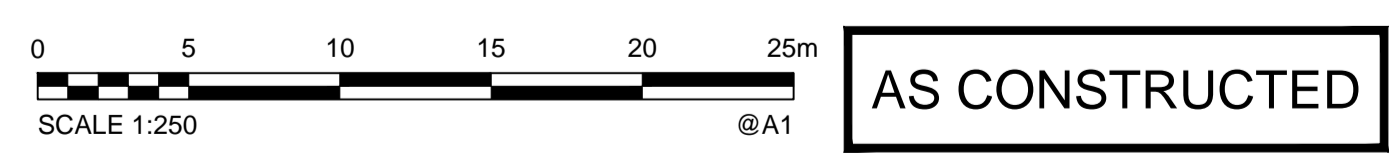
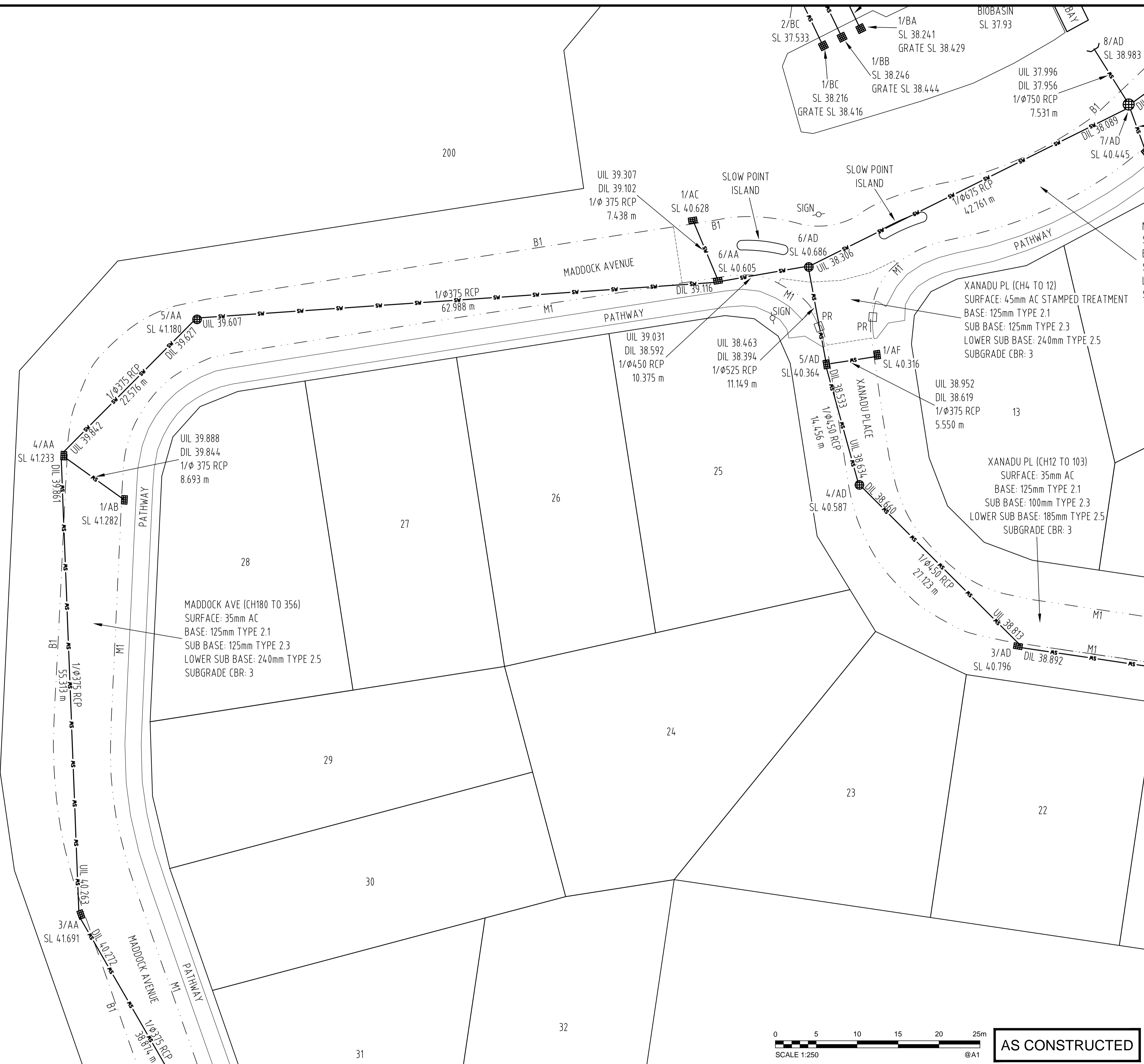


ENGINEER'S CERTIFICATION

I, DARRYL HAYTER,
being a Consulting Engineer and duly authorised representative of: -
EMPOWER ENGINEERS & PROJECT MANAGERS Pty Ltd
hereby:-
certify the information contained in this drawing, prepared by DSQ survey Pty Ltd, is an accurate "as constructed" representation of the works;
accept responsibility for the "as constructed" information contained in this drawing; and
acknowledge the "as constructed" information contained in the drawing may be relied on by the UNITYWATER and other authorities.
Certification for Stage 1 by D. Hayter on 10/03/2020
For: EMPOWER ENGINEERS & PROJECT MANAGERS Pty Ltd
RPEQ No: 5694

REGISTERED SURVEYOR'S CERTIFICATION

I, Antony Jon Pike, hereby certify that the vertical and horizontal locations and dimensions shown on this plan are a true and correct record and were located by survey.
76
Registered Surveyor (Sigs) Reg. Surveyor No. 52449 Date: 26.02.2020
Being a duly representative of- DSQ SURVEY PTY LTD



AS CONSTRUCTED

A1	A	18/12/2019	AS-CONSTRUCTED	BAS	IS				
	INDEX	DATE	REVISIONS	DRAWN	CHECKED	PASSED	INITIALS	DATE	

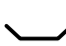



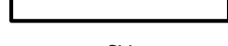


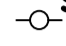
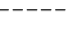



PREPARED ON BEHALF OF:

SUNSHINE COAST COUNCIL
 ROADS AND DRAINAGE
 HILLSIDE MOOLOOLAH VALLEY STAGE 1
 COUNCIL REFERENCE: OPW18/0749.01

SCALE	1:250
SHEET	3 OF 4 SHEETS
DRAWING NO.	



LEGEND

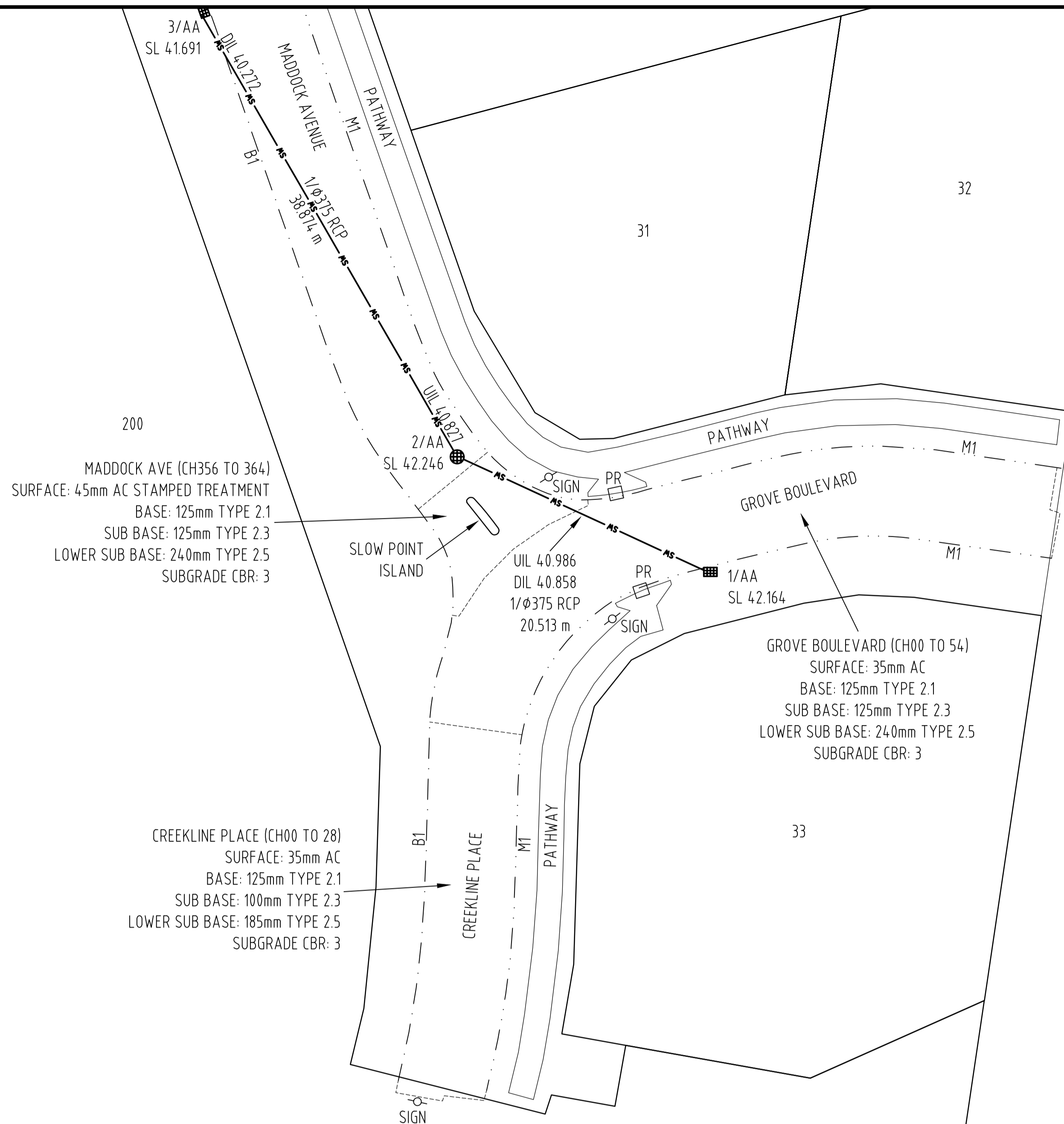
-  END STRUCTURE
-  IPWEA LIL GULLY PIT
-  FIELD INLET
-  MAINTENANCE HOLE
-  SEDIMENT FOREBAY
-  DRAINAGE PIPE
-  EX. SW
-  PR
-  SIGN
-  EDGE OF PAVEMENT
-  KERB AND CHANNEL - B1 (IPWEAQ RS-080)
-  KERB AND CHANNEL - M1 (IPWEAQ RS-080)

ENGINEER'S CERTIFICATION

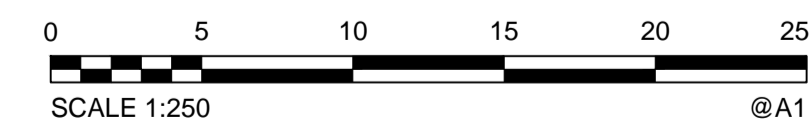
I, DARRYL HAYTER
 being a Consulting Engineer and duly authorised representative of: -
EMPOWER ENGINEERS & PROJECT MANAGERS Pty Ltd
 hereby:-
 # certify the information contained in this drawing, prepared by DSQ survey Pty Ltd, is an accurate "as constructed" representation of the works;
 # accept responsibility for the "as constructed" information contained in this drawing; and
 # acknowledge the "as constructed" information contained in the drawing may be relied on by the UNITYWATER and other authorities.
 Certification for Stage 1 by D. Hayter on 10/03/2020
 For: EMPOWER ENGINEERS & PROJECT MANAGERS Pty Ltd
 RPEQ No: 5694

REGISTERED SURVEYOR'S CERTIFICATION

I, Antony Jon Pike, hereby certify that the vertical and horizontal locations and dimensions shown on this plan are a true and correct record and were located by survey.
JB
 Registered Surveyor (sig.) Reg. Surveyor No. 52449 Date: 26.02.2020
 Being a duly representative of: DSQ SURVEY PTY LTD



502SP308942



AS CONSTRUCTED

A1

INDEX	DATE	REVISIONS	DRAWN	CHECKED	PASSED
A	18/12/2019	AS-CONSTRUCTED	BAS	IS	

DRAWN	CHECKED	PASSED	INITIALS	DATE
BAS	IS			18/12/20

PREPARED ON BEHALF OF:



SUNSHINE COAST COUNCIL

ROADS AND DRAINAGE
HILLSIDE MOOLOOLAH VALLEY STAGE 1
COUNCIL REFERENCE: OPW18/0749.01

SCALE 1:250

SHEET 4 OF 4 SHEETS

DRAWING NO.

A